

### Safety instructions for installation



**WARNING: Important safety information. Follow all installation instructions, as incorrect installation can lead to serious injuries.**

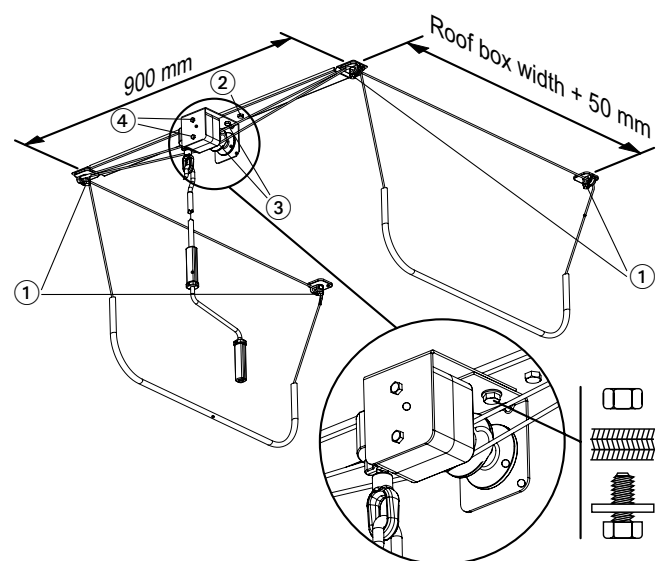
- ▶ The installation must be carried out professionally to ensure secure fixation of the screws on the ceiling. For fixation on a concrete or gas concrete ceiling, please contact an expert to select the most appropriate fixation elements.
- ▶ Make sure that fixations, screws and ropes are spaced at equal distances. We are not liable or responsible for damage/injury caused by improper installation or improper use.
- ▶ The minimum space needed for easy crank operation is about 60 cm. Please observe sufficient distance from rolling gates or similar.
- ▶ Use caution when drilling holes as gas pipelines, water pipes and electrical wires may be present.

### Installation Instructions

- Park the car with mounted roof box in the garage.
- Mark ① – ② – ⑤ for subsequent fixation to the ceiling. Center and fix the eyelets ① – ④ and ② – ③ above the roof rack according to the width the roof box with an additional distance of about 5 cm - for example, 80 +5 cm. For the wood screws, use a 6 mm drill and drill 55 mm deep holes, perpendicular to the ceiling.
- Screw the gear to the slightly inclined openings of the rail with the 2 screws M8 together with the enclosed nuts. Attach the rail to the ceiling with 2 screws 80 mm and to the gear opening ⑤ with 1 screw 50 mm. Be careful not to over-tighten the screws in order not to deform the rail. The eyelets ③ – ④ are tightened with two screws 80 mm.
- Insert a rope into the coil that lies nearest to the gear and direct both rope ends towards eyelet ②. Insert both ends of the rope through the eyelet ② and one end of the rope further through eyelet ③.
- Thread the rope through the hose and adjust the length so that the rope is sideways underneath one side of the roof box. Tie both ends of the rope using a square knot that can be easily undone if the length must be adjusted.
- Push the knot into the hose and thread the rope through the other opening so that the hose is placed centrally under the box.
- Thread the other rope through the other opening of the coil and proceed in the same way with eyelet ① – ④.
- The box can now be raised under the ceiling with the hand crank.

### Delivery contents:

- 1 installation instructions
- 1 operation instructions
- 1 rail with eyelet
- 1 gear with coil
- 1 hand crank
- 2 ropes
- 2 hoses
- 2 eyelets
- 4 wood screws 80 mm with washers
- 1 wood screw 50 mm with large diameter washers
- 2 M8 screws with nuts and washers
- 2 M6 screws with washers



①	8 x 80 mm			4x
②	8 x 50 mm			1x
③	M8 x 16 mm			2x
④	M6 x 16 mm			2x

