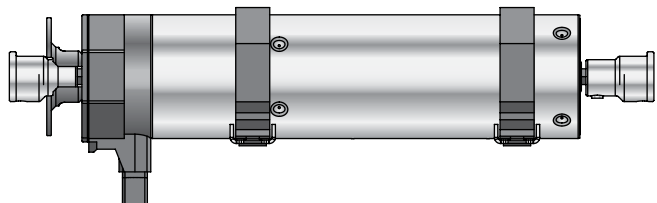


Venetian blind motor:

GEIGER-GJ56..

For Venetian blinds and exterior blinds



EN

**Original installation and
operating instructions**

EN

Index

1. General information	2
2. Guarantee.....	2
3. Safety information	3
4. Intended use	4
5. Assembly note	4
6. Installation instructions	5
7. Setting of the end stops.....	7
8. Technical data.....	8
9. Information for the specialist electrician	9
10. Declaration of conformity.....	9
11. Notes on waste disposal	9
12. What to do if... ..	10

1. General information

Dear customer,

By purchasing a GEIGER motor you have decided on a quality product from GEIGER.

Thank you very much for your decision and the confidence placed in us.

Before you put this drive into operation please observe the following safety information. It serves for the prevention of danger and for the avoidance of personal injury and damage to property.

Please retain this information for future reference.

- ▶ **Suitable for all Venetian blinds and exterior blinds**
- ▶ **Installation without stops possible**

2. Guarantee

In the case of incorrect installation contrary to the operating instructions and/or constructional modification, the legal and contractual guarantee for property damage and product liability lapses.

3. Safety information



ATTENTION: Important safety information. For personal safety, it is important to follow these instructions. The instructions should be kept.

- ▶ This appliance is not to be used by persons (including children) whose physical, sensorial or mental capacities are impaired, or who have no experience or know-how, unless they have been supervised or been given instructions on the use of the appliance by someone who is responsible for their safety.
- ▶ Children must be supervised to make sure they do not play with the appliance.
- ▶ The installation is to be checked regularly for defective balance, wear and damage.
- ▶ Damaged connecting leads must be replaced by the GEIGER connecting lead of the same wire type.
- ▶ During operation observe the danger zone.
- ▶ If people or objects are in the danger zone, do not use the installation.
- ▶ Urgently shut down damaged installations until repair.
- ▶ Unconditionally shut down the unit during maintenance and cleaning operations.
- ▶ Pinching and shearing sites are to be avoided and to be safeguarded against.
- ▶ When operating the manual actuator with the open sun protection system, exercise caution as it can fall down quickly if springs expand or are broken.
- ▶ Do not operate the device if operations such as, for example, window cleaning are to be carried out in the vicinity.
- ▶ Disconnect the device from the mains power supply if operations such as, for example, window cleaning are being carried out in the vicinity.



ATTENTION: Important safety information. Follow all installation instructions, as incorrect installation can lead to serious injuries.

- ▶ The motor surface can become very hot during prolonged operation. Please do not touch the motor during the cool down phase.
- ▶ Connection must be carried out by a skilled electrician according to the regulations in force locally.
- ▶ The mains plug of the motor must be accessible after installation.
- ▶ On the installation of the motor without mechanical protection of the driven parts, the motor must be installed at a height of at least 2.5 m above the ground or of another level which provides access to the drive.
- ▶ Before the motor is installed, all leads which are not needed are to be removed and all equipment which is not needed for actuation is to be put out of operation.
- ▶ If the motor is controlled by a switch or pushbutton, the switch or pushbutton must be mounted within eyeshot of the motor. The switch or pushbutton must not be located in the vicinity of moving parts. The height

of installation must be at least 1.5 m above the floor.

If the apparatus is equipped without a pin and a socket connector (STAS3K) in the connecting lead, or other means for disconnecting from the mains with at least a 3 mm contact opening on each pole, a disconnecting device of this type must be incorporated into the permanently installed electrical installation according to the wiring rules.

- ▶ Permanently installed control devices must be attached visibly.
- ▶ The correct dimensioning of the drive is to be observed.
- ▶ The rated sound pressure level is less than 70 dB(A).

4. Intended use

The motors of the model range GJ56.. with mechanical end stop are designed exclusively for the operation of Venetian blinds and exterior blinds.

If the motors are used for other applications and/or modifications are performed to the motors, which have not been discussed with GEIGER Antriebstechnik, then the manufacturer is not liable for personal injury and/or damage to property and for consequential damage.

5. Assembly note

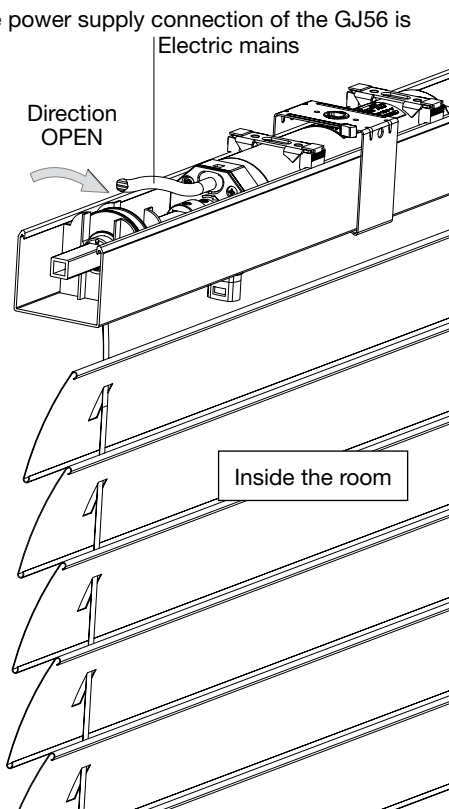
When viewed from inside the room, the power supply connection of the GJ56 is located on the left side. The straps are wound on the winding rollers from the outside. The adjustment buttons of the limit stop control device and the limit stop switch must point downward.

The GJ56 which is set to the lower end position when it leaves the factory, is installed in the fully lowered Venetian blind. Thus, adjusting the lower end position is not required. The GJ56 must be installed in alignment with the turning bars.

It is important that the GJ56.. is installed centrally. Please make sure that the load is evenly distributed.

Inclined installation:

The inclined installation is permitted till 45° maximum to level. The limit stop switch and the adjustment buttons must point downward.



6. Installation instructions

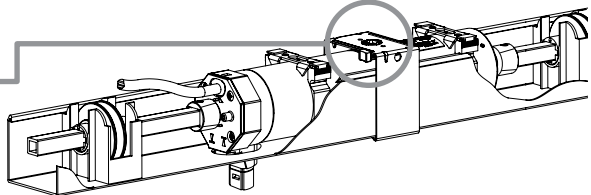
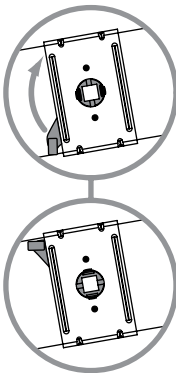
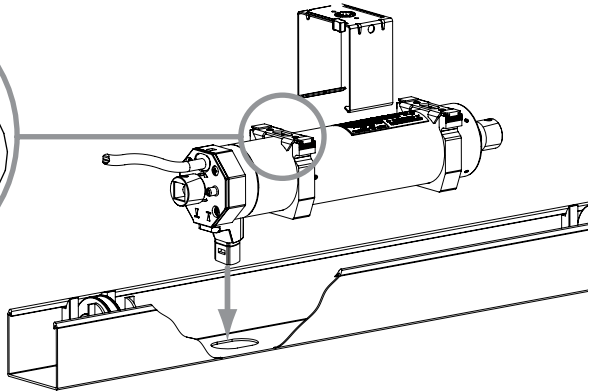
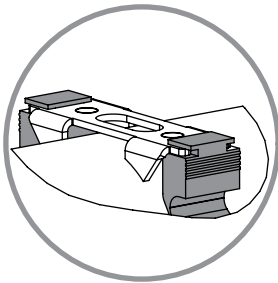
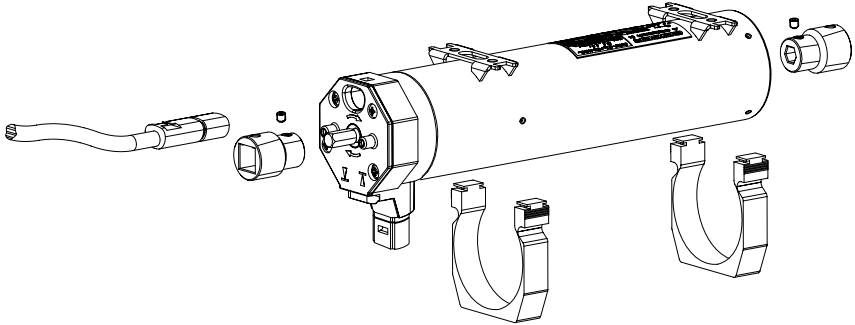


Prior to installation please check to ensure there is no visible damage to the motor like cracks or open cables.



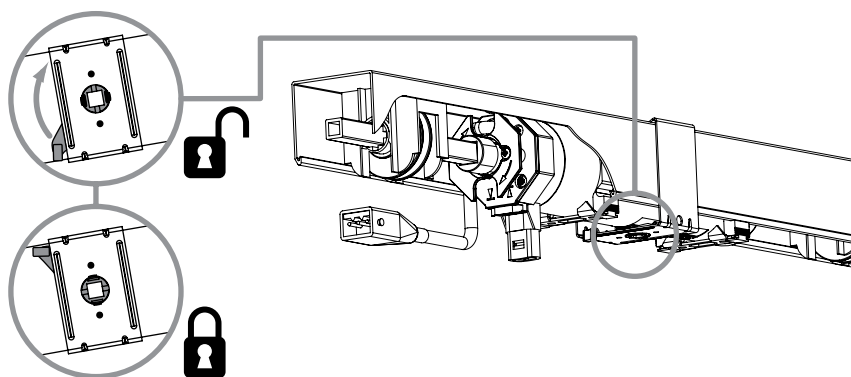
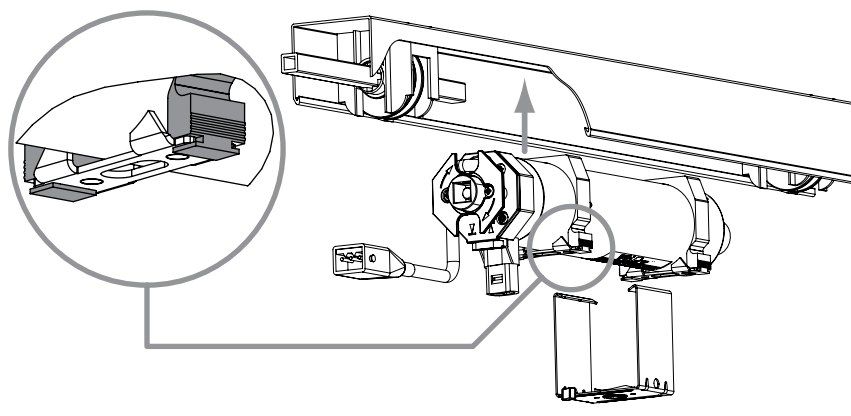
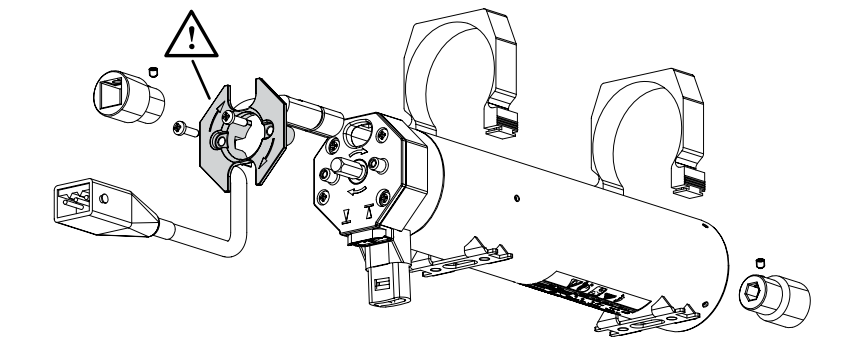
Before fixing please check the strength of the masonry and of the surface.

Head rail opening at top:



EN

Head rail opening at bottom:



EN

7. Setting of the end stops

The GJ56 is equipped with two integrated, adjustable limit switches. If required, the factory settings can be changed at any time as often as you like.



The GJ56 can only be operated with an installed limit stop switch.

If required, the GJ56 can be delivered without limit stop switch.

Operation with limit stop switch

If the GJ56 is to be switched off in the upper end position by means of the limit stop switch, and the GJ56 was installed in the fully lowered Venetian blind as described above, no further settings are required.



Note:
The limit stop switch will stop the GJ56.. direction OPEN only.

If you press the DOWN adjustment button for the lower end position and DOWN direction, the Venetian blind can move over the lower turning position and move up again. If the Venetian blind hits the limit stop switch now, the GJ56 is not switched off and the Venetian blind could be damaged.

Adjustment of upper end position

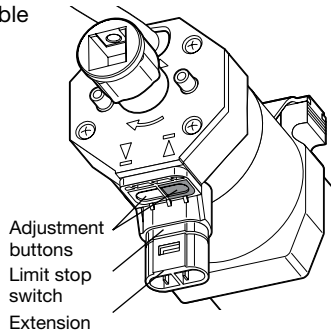
1. Move the Venetian blind approx. 300 mm below the required end position.
2. Press the **black** adjustment button.
3. Move up the Venetian blind to the required end position.
4. Move down the Venetian blind about 6 seconds, until the **black** adjustment button jumps back audibly (click).

Now the upper end position is adjusted.

Adjustment of lower end position

1. Move the Venetian blind approx. 300 mm above the required end position.
2. Press the **white** adjustment button.
3. Move down the Venetian blind to the required end position.
4. Move up the Venetian blind about 6 seconds until the **white** adjustment button jumps back audibly (click).

Now the lower end position is adjusted.



8. Technical data

Technical data GJ56.. with mechanical end stop (standard mechanical)				
	GJ5603k	GJ5606k	GJ5610	GJ5620
Voltage	230 V~/50 Hz	230 V~/50 Hz	230 V~/50 Hz	230 V~/50 Hz
Current	0,40 A	0,40 A	0,60 A	0,85 A
Cos Phi (cosφ)	> 0,95	> 0,95	> 0,95	> 0,95
Inrush current (factor)	x 1,2	x 1,2	x 1,2	x 1,2
Power	90 W	93 W	135 W	190 W
Torque	3 Nm	6 Nm	10 Nm	2 x 10 Nm
Speed	26 rpm	26 rpm	26 rpm	26 rpm
Protection class	IP 54	IP 54	IP 54	IP 54
Limit switch range	80 rotations	80 rotations	80 rotations	80 rotations
Operating mode	KB 4 min	KB 4 min	KB 4 min	KB 4 min
Length	299 mm	299 mm	309 mm	336 mm
Diameter	55 mm	55 mm	55 mm	55 mm
Weight	approx 1,50 kg	approx 1,50 kg	approx 1,70 kg	approx 2,2 kg

Subject to technical modifications



Technical data GJ56.. with mechanical end stop (run-time optimized version)		
	GJ5606	GJ5616
Voltage	230 V~/50 Hz	230 V~/50 Hz
Current	0,40 A	0,70 A
Cos Phi (cosφ)	> 0,95	> 0,95
Inrush current (factor)	x 1,2	x 1,2
Power	90 W	150 W
Torque	6 Nm	2 x 8 Nm
Speed	26 rpm	26 rpm
Protection class	IP 54	IP 54
Limit switch range	80 rotations	80 rotations
Operating mode	KB 6 min	KB 6 min
Length	304 mm	336 mm
Diameter	55 mm	55 mm
Weight	approx 1,60 kg	approx 2,20 kg

Subject to technical modifications



EN

9. Information for the specialist electrician



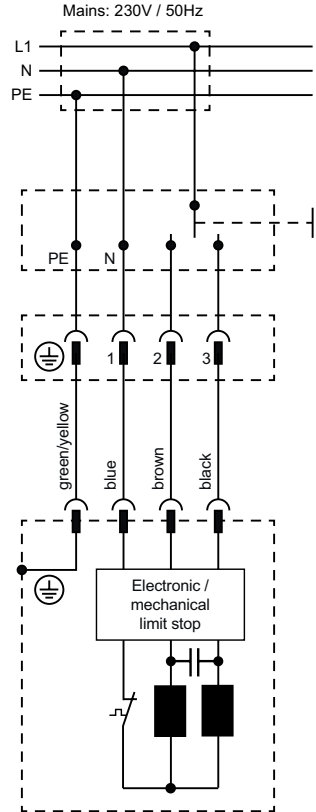
Caution: Wrong installation and wrong connection can lead to serious injuries.

Because of back-voltage of the capacitor, the parallel connection of the **GJ56..** is not permissible. If two **GJ56..** are operated in parallel, a 2-pole switch or a suitable cut-off relay must basically be used.

Please do not use any installation switch which allows simultaneous up and down controls.

Please do not use PVC cables to connect the **GJ56..**. They are not suitable for equipment used outdoors or exposed to prolonged high levels of UV radiation.

Connecting cables with plug connectors of the Hirschmann Company, type STAS 3K, may only be used in connection with the Hirschmann cable socket STAK 3K.



10. Declaration of conformity

We herewith explicitly declare that this product complies with the essential requirements and relevant directives. It is authorised for use in all EC member states and in Switzerland without any need of prior registration. The Declaration of Conformity concerning this product is available on our website: www.geiger-antriebstechnik.de.

EN

11. Notes on waste disposal

Recycling of packaging materials

In the interest of environmental protection, please contact your local government's recycling or solid waste management department to learn more about the services it provides.

Waste disposal of electric and electronic equipment

Electronic equipment or batteries cannot be discarded along with the normal household waste. Keep for more information on the recycling and disposal methods envisaged by the local regulations in your area.

12. What to do if...

Problem	Solution
Motor does not run.	<ul style="list-style-type: none"> • Motor not plugged in. Please check the plug connection. • Check connecting cable for possible damage. • Check the mains voltage and allow the cause of the voltage breakdown to be tested by a specialist electrician.
Instead of in the upwards direction, motor runs downwards.	<ul style="list-style-type: none"> • The control leads are interchanged. Exchange black/brown control leads.
Motor only runs in one direction.	<ul style="list-style-type: none"> • Motor in the end position. Run motor in the opposite direction.
After running several times, the motor breaks down and no longer responds.	<ul style="list-style-type: none"> • The motor became too hot and has switched off. Try it again after a cooling time of about 15 min.
The blind is in the upper end position, actuates the limit stop switch and can no longer move downward.	<ul style="list-style-type: none"> • The motor has been installed upside down or the lower end stop has been overrun and the straps are wound up the wrong way. Restore free motion of the limit stop switch. Re-adjust the end positions

EN

For technical questions, please call our service team at: **+49 (0) 7142 938-300**.
They will be happy to assist you.



Gerhard Geiger GmbH & Co. KG
Schleifmühle 6
D-74321 Bietigheim-Bissingen
Telephone: +49 (0) 7142 938-0
Telefax: +49 (0) 7142 938-230
www.geiger-antriebstechnik.de
info@geiger-antriebstechnik.de