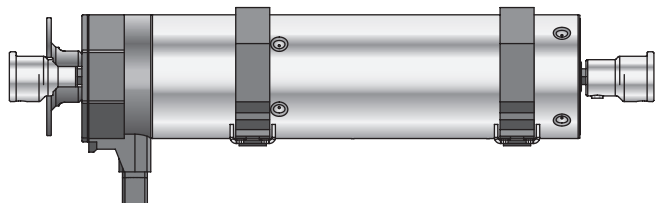


Venetian blind motor:

**GEIGER-GJ56.. with mechanical end stop**

For Venetian blinds and exterior blinds



EN

**Original assembly and  
operating instructions**

EN

# Index

1. General information.....	2
2. Guarantee .....	2
3. Intended use.....	2
4. Safety instructions.....	3
5. Safety instructions for assembly .....	3
6. Assembly note .....	4
7. Installation instructions .....	5
8. Information for the specialist electrician.....	7
9. Setting of the end stops .....	7
10. What to do if.....	8
11. Maintenance .....	8
12. Technical data .....	9
13. Declaration of conformity .....	10
14. Notes on waste disposal .....	11

## 1. General information

Dear customer,

By purchasing a GEIGER motor you have decided on a quality product from GEIGER.

Thank you very much for your decision and the confidence placed in us.

Before you put this drive into operation please observe the following safety instructions. It serves for the prevention of danger and for the avoidance of personal injury and damage to property.

The installation and operating instructions contain important information for the installer, the specialist electrician and the user. Please pass on these instructions if you transfer the product. These instructions should be kept by the user.

## 2. Guarantee

In the case of incorrect installation contrary to the installation and operating instructions and/or constructional modification, the legal and contractual guarantee for property damage and product liability lapses.

## 3. Intended use

The motors of the model range GJ56.. with mechanical end stop are designed exclusively for the operation of Venetian blinds.

The motors may not be used for the operation of roller grilles, garage doors, furniture and lifting tools.

GJ 56 xx x  
| | | |  
| | | | Design options  
| | | | Torque in Nm  
| | | | For head rails at least 56 mm  
| | | | GEIGER Venetian blinds motor

## 4. Safety instructions



**ATTENTION: Important safety instructions. For personal safety, it is important to follow these instructions. Please keep these instructions for future reference.**

- ▶ Do not allow children to play with stationary controls. Keep remote controls away from children.
- ▶ The installation is to be checked regularly for defective balance, signs of wear or damaged cables and springs, if relevant.
- ▶ Do observe the moving sun protection system and keep persons away until it has closed completely.
- ▶ When operating the manual release with the sun protection system open, please be cautious as it can fall down quickly if springs or tapes wear off or are broken.
- ▶ Do not operate the device if operations such as, for example, window cleaning are to be carried out in the vicinity.
- ▶ Disconnect the automatic controlled device from the mains power supply if operations such as, for example, window cleaning are being carried out in the vicinity.
- ▶ During operation observe the danger zone.
- ▶ Do not use the installation if people or objects are in the danger zone.
- ▶ Urgently shut down damaged installations until repair.
- ▶ Unconditionally shut down the unit during maintenance and cleaning operations.
- ▶ Pinching and shearing points are to be avoided and must be secured.
- ▶ This appliance can be used by children aged 8 and above and persons whose physical, sensorial or mental capacities are impaired, or who have no experience or know-how if they have been supervised or been given instructions on the use of the appliance and if they understand the possible resulting dangers. Children are not permitted to play with the device. Cleaning and maintenance should not be carried out by children.
- ▶ The rated sound pressure level is less than 70 dB(A).
- ▶ Disconnect the device from the mains power supply for maintenance and replacement of parts.  
If the motor is disconnected via a plug connection the operator must be able to control - from any place to which it has access – that the plug is removed.  
If this is not possible - due to design or installation - the disconnection from the power supply must be ensured via locking in the disconnected position (e.g. isolator).
- ▶ The motor tube can get very hot during prolonged use.  
When working on the unit, do not touch the tube before it has cooled down.

EN

## 5. Safety instructions for assembly



**ATTENTION: Important safety instructions. Follow all installation instructions, as incorrect installation can lead to serious injuries.**

- ▶ When mounting the motor without any mechanical protection of the driven parts and of the tube which may become hot, the motor must be installed at a height of at least 2.5 m above the ground or of another level which provides access to the drive.
- ▶ Before the motor is installed, all cables which are not needed are to be removed and all equipment which is not needed for power-operated actuation is to be put out of operation.
- ▶ The actuating element of a manual release must be mounted at a height of less than 1.8 m.
- ▶ If the motor is controlled by a switch or pushbutton, the switch or pushbutton must be mounted within eyeshot of the motor. The switch or pushbutton must not be located in the vicinity of moving parts. The height of installation must be at least 1.5 m above the floor.
- ▶ Permanently installed control devices must be attached visibly.
- ▶ In case of devices extending horizontally, a horizontal distance of at least 0.4 m must be respected between the fully extended part and any other fixed element.

- ▶ The rated speed and the rated torque of the motor must be compatible with the device.
- ▶ The mounting accessories that are used must be designed in accordance with the selected rated torque.
- ▶ Good technical knowledge and good mechanical skills are necessary for the motor installation. Incorrect installation can lead to serious injury. Electrical work must be carried out by a qualified electrician in accordance with the regulations in force locally.
- ▶ Only use connecting cables that are suitable with the environmental conditions and which meet the construction requirements. (see accessories catalogue)
- ▶ If the device is not equipped with a connecting cable and a plug, or other means for disconnecting from the mains with a contact opening on each pole according to the conditions of the overvoltage category III for full disconnection, a disconnecting device of this type must be incorporated into the permanently installed electrical installation according to the wiring rules.
- ▶ Do not mount the connecting cables near hot surfaces.
- ▶ A plug for the disconnection of the motor from the power supply must be accessible after installation.
- ▶ Damaged connecting cables must be replaced by GEIGER connecting cables of the same type.
- ▶ The device must be mounted as described in the installation instructions. Fixations shall not be made with adhesives since they are regarded as unreliable.

## 6. Assembly note

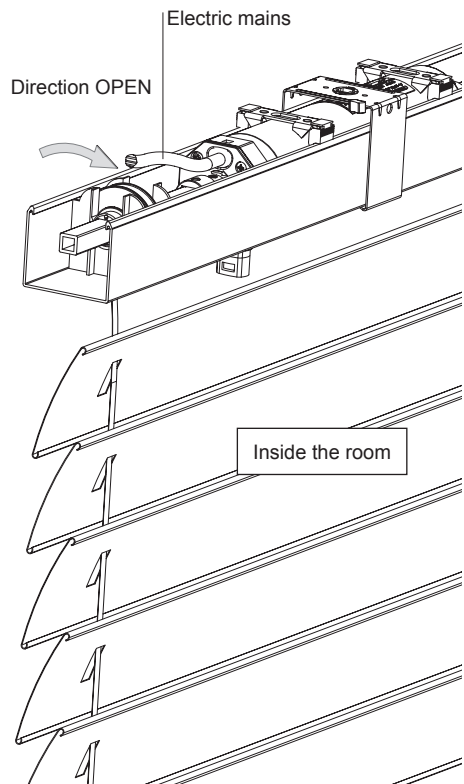
When viewed from inside the room, the power supply connection of the GJ56 is located on the left side. The straps are wound on the winding rollers from the outside. The adjustment buttons of the limit stop control device and the limit stop switch must point downward.

The GJ56 which is set to the lower end position when it leaves the factory, is installed in the fully lowered Venetian blind. Thus, adjusting the lower end position is not required. The GJ56 must be installed in alignment with the turning bars.

It is important that the GJ56.. is installed centrally. Please make sure that the load is evenly distributed.

### Inclined installation:

The inclined installation is permitted till 45° maximum to level. The limit stop switch and the adjustment buttons must point downward.



## 7. Installation instructions

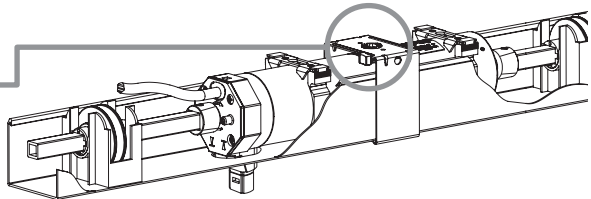
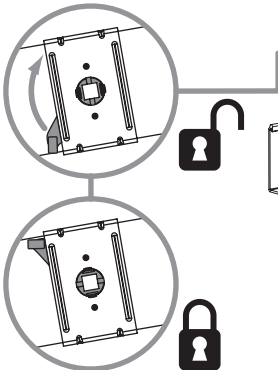
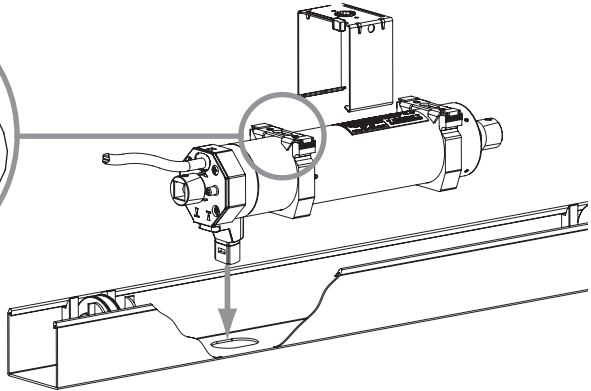
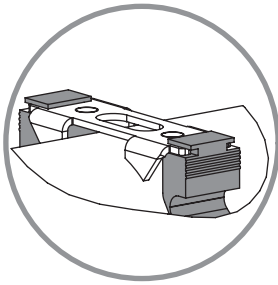
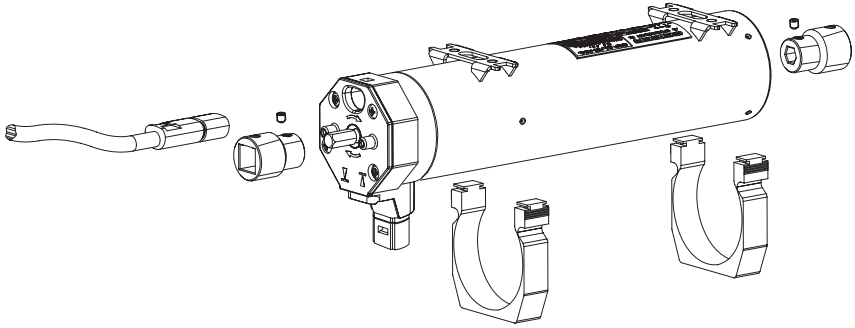


Prior to installation please check to ensure there is no visible damage to the motor like cracks or open cables.



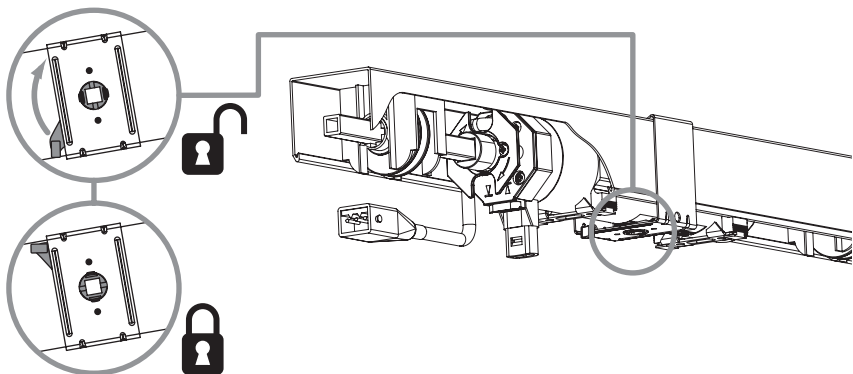
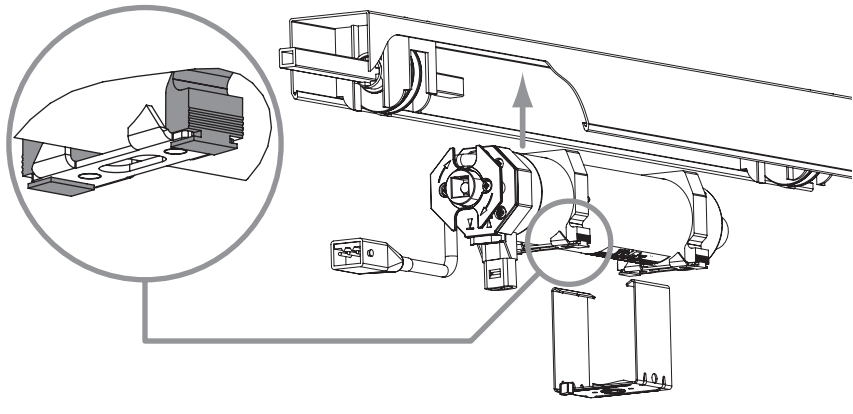
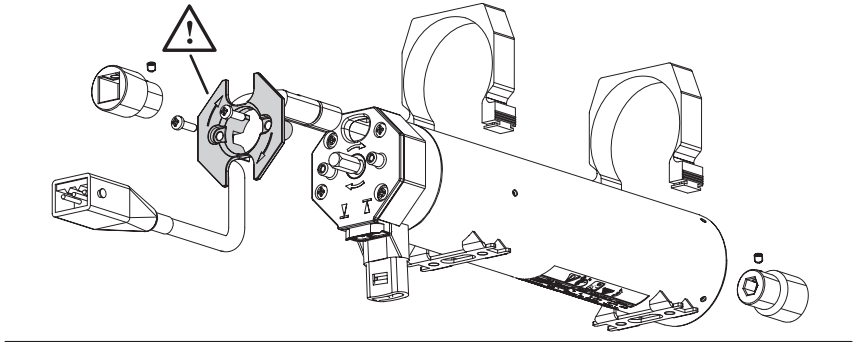
Before fixing please check the strength of the masonry and of the surface.

Head rail opening at top:



EN

Head rail opening at bottom:



EN

## 8. Information for the specialist electrician



**Caution: Important installation instructions. Please follow all installation instructions since incorrect installation can lead to the destruction of the motor and the switching unit.**

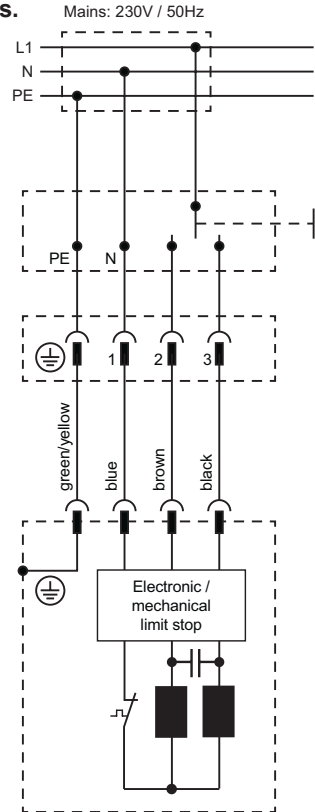
Motors with mechanical limit stops cannot be connected in parallel but must be connected via a multipolar switch or a cut-off relay.

Switches and controls must not execute simultaneous UP and DOWN commands.

When changing the running direction the switchover must be effected through an off-position.

With a three-phase network, please use the same external conductor in order to control the UP and DOWN directions.

Connecting cables with plug connectors of the Hirschmann Company are tested and approved with couplings of the Hirschmann Company.



## 9. Setting of the end stops

The GJ56 is equipped with two integrated, adjustable limit switches. If required, the factory settings can be changed at any time as often as you like.



**The GJ56 can only be operated with an installed limit stop switch.**

If required, the GJ56 can be delivered without limit stop switch.

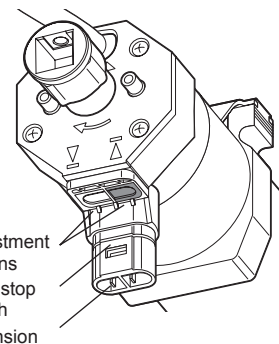
### Operation with limit stop switch

If the GJ56 is to be switched off in the upper end position by means of the limit stop switch, and the GJ56 was installed in the fully lowered Venetian blind as described above, no further settings are required.



**Note: The limit stop switch will stop the GJ56.. direction OPEN only.**

If you press the DOWN adjustment button for the lower end position and DOWN direction, the Venetian blind can move over the lower turning position and move up again. If the Venetian blind hits the limit stop switch now, the GJ56 is not switched off and the Venetian blind could be damaged.



EN

### Adjustment of upper end position

1. Move the Venetian blind approx. 300 mm below the required end position.
2. Press the **black** adjustment button.
3. Move up the Venetian blind to the required end position.
4. Move down the Venetian blind about 6 seconds, until the **black** adjustment button jumps back audibly (click).

**Now the upper end position is adjusted.**

### Adjustment of lower end position

1. Move the Venetian blind approx. 300 mm above the required end position.
2. Press the **white** adjustment button.
3. Move down the Venetian blind to the required end position.
4. Move up the Venetian blind about 6 seconds until the **white** adjustment button jumps back audibly (click).

**Now the lower end position is adjusted.**

## 10. What to do if...

Problem	Solution
Motor does not run.	<ul style="list-style-type: none"><li>• Motor not plugged in. Please check the plug connection.</li><li>• Check connecting cable for possible damage.</li><li>• Check the mains voltage and allow the cause of the voltage breakdown to be tested by a specialist electrician.</li></ul>
Instead of in the upwards direction, motor runs downwards.	<ul style="list-style-type: none"><li>• The control leads are interchanged. Exchange black/brown control leads.</li></ul>
Motor only runs in one direction.	<ul style="list-style-type: none"><li>• Motor in the end position. Run motor in the opposite direction. Readjust the end positions, if necessary.</li></ul>
After running several times, the motor breaks down and no longer responds.	<ul style="list-style-type: none"><li>• The motor became too hot and has switched off. Try it again after a cooling time of about 15 min.</li></ul>
The blind is in the upper end position, actuates the limit stop switch and can no longer move downward.	<ul style="list-style-type: none"><li>• The motor has been installed upside down or the lower end stop has been overrun and the straps are wound up the wrong way. Restore free motion of the limit stop switch. Re-adjust the end positions</li></ul>

## 11. Maintenance

The drive is maintenance-free.



## 12. Technical data

Technical data GJ56.. with mechanical end stop (standard mechanical)				
	GJ5603k	GJ5606k	GJ5610	GJ5620
<b>Voltage</b>	230 V~/50 Hz			
<b>Current</b>	0,40 A	0,40 A	0,60 A	0,85 A
<b>Cos Phi (cosφ)</b>	> 0,95			
<b>Inrush current (factor)</b>	x 1,2			
<b>Power</b>	90 W	93 W	135 W	190 W
<b>Torque</b>	3 Nm	6 Nm	10 Nm	2 x 10 Nm
<b>Speed</b>	26 rpm			
<b>Protection class</b>	IP 54			
<b>Limit switch range</b>	80 rotations			
<b>Operating mode</b>	S2 4 min			
<b>Sound pressure level<sup>2)</sup></b>	34 db(A)	34 db(A)	35 db(A)	40 db(A)
<b>Length</b>	299 mm	299 mm	309 mm	336 mm
<b>Diameter</b>	55 mm			
<b>Weight</b>	approx 1,50 kg	approx 1,50 kg	approx 1,70 kg	approx 2,20 kg
<b>Ambient temperature / humidity</b>	Operation: T = -10°C .. +60°C / H max. 90% Storage: T = -15°C .. +70°C / dry and non-condensing place			

Subject to technical modifications



Technical data GJ56.. with mechanical end stop (run-time optimized version)		
	GJ5606 <sup>1)</sup>	GJ5616
<b>Voltage</b>	230 V~/50 Hz	
<b>Current</b>	0,40 A	0,70 A
<b>Cos Phi (cosφ)</b>	> 0,95	
<b>Inrush current (factor)</b>	x 1,2	
<b>Power</b>	90 W	150 W
<b>Torque</b>	6 Nm	2 x 8 Nm
<b>Speed</b>	26 rpm	
<b>Protection class</b>	IP 54	
<b>Limit switch range</b>	80 rotations	
<b>Operating mode</b>	S2 6 min	
<b>Sound pressure level<sup>2)</sup></b>	34 db(A)	40 db(A)
<b>Length</b>	304 mm	336 mm
<b>Diameter</b>	55 mm	
<b>Weight</b>	approx 1,60 kg	approx 2,20 kg
<b>Ambient temperature / humidity</b>	Operation: T = -10°C .. +60°C / H max. 90% Storage: T = -15°C .. +70°C / dry and non-condensing place	

<sup>1)</sup> GJ5606: operation according to CSTB document 3677/class B (T= 20°C.. +85°C)

<sup>2)</sup> The average sound pressure level data are intended for guidance only. The values were determined by GEIGER at a distance of 1 m, with a hanging motor at idle speed and averaged over 10 seconds. There is no reference to any specific test standard.

Subject to technical modifications



EN

# 13. Declaration of conformity



## EC Declaration of Conformity

Gerhard Geiger GmbH & Co. KG  
Antriebstechnik  
Schleifmühle 6

D-74321 Bietigheim-Bissingen

Product: Venetian blind motor, motor for rolling shutter, motor for awnings

Type designation: GJ56..  
GR45..  
GU45..

The designated product is in conformity with the European Directive:

2006/42/EC

“Directive 2006/42/EC of the European Parliament and of the Council of 17 May 2006 for the approximation of laws, regulations and administrative provisions of the Member States concerning machinery”.

2004/108/EC

“Directive 2004/108/EC of the European Parliament and of the Council of 15 December 2004 on the approximation of the laws of the Member States relating to electromagnetic compatibility and repealing Directive 89/336/EEC”

The conformity of the designated product with the provisions of the directives is proved in particular by full compliance with the following standards:

DIN EN 60335-1	DIN EN 55014-1	EN301 489-03
DIN EN 60335-2-97	DIN EN 55014-2	EN300 220-3
DIN EN 62233	DIN EN 61000-3-2	
	DIN EN 61000-3-3	

The accredited VDE Testing and Certification Institute (EU Identification No. 0366) Merianstr. 28, D-63069 Offenbach, tests and certifies for the company Gerhard Geiger GmbH & Co. KG.

Authorised representative for technical data: Gerhard Geiger GmbH & Co. KG  
Address: Schleifmühle 6, D-74321 Bietigheim-Bissingen

Bietigheim-Bissingen, 15.02.2013

Hans-Michael Dangel (General Manager)

EN

## 14. Notes on waste disposal

### **Recycling of packaging materials**

In the interest of environmental protection, please contact your local government's recycling or solid waste management department to learn more about the services it provides.

### **Waste disposal of electric and electronic equipment**

Electrical and electronic equipment must be collected and disposed of separately in accordance with EU regulations.

**For technical questions, please call our service team at: +49 (0) 7142 938-300.  
They will be happy to assist you.**



**GEIGER**  
Antriebstechnik

**Gerhard Geiger GmbH & Co. KG**

Schleifmühle 6

D-74321 Bietigheim-Bissingen

Telephone: +49 (0) 7142 938-0

Telefax: +49 (0) 7142 938-230

[www.geiger-antriebstechnik.de](http://www.geiger-antriebstechnik.de)

[info@geiger-antriebstechnik.de](mailto:info@geiger-antriebstechnik.de)